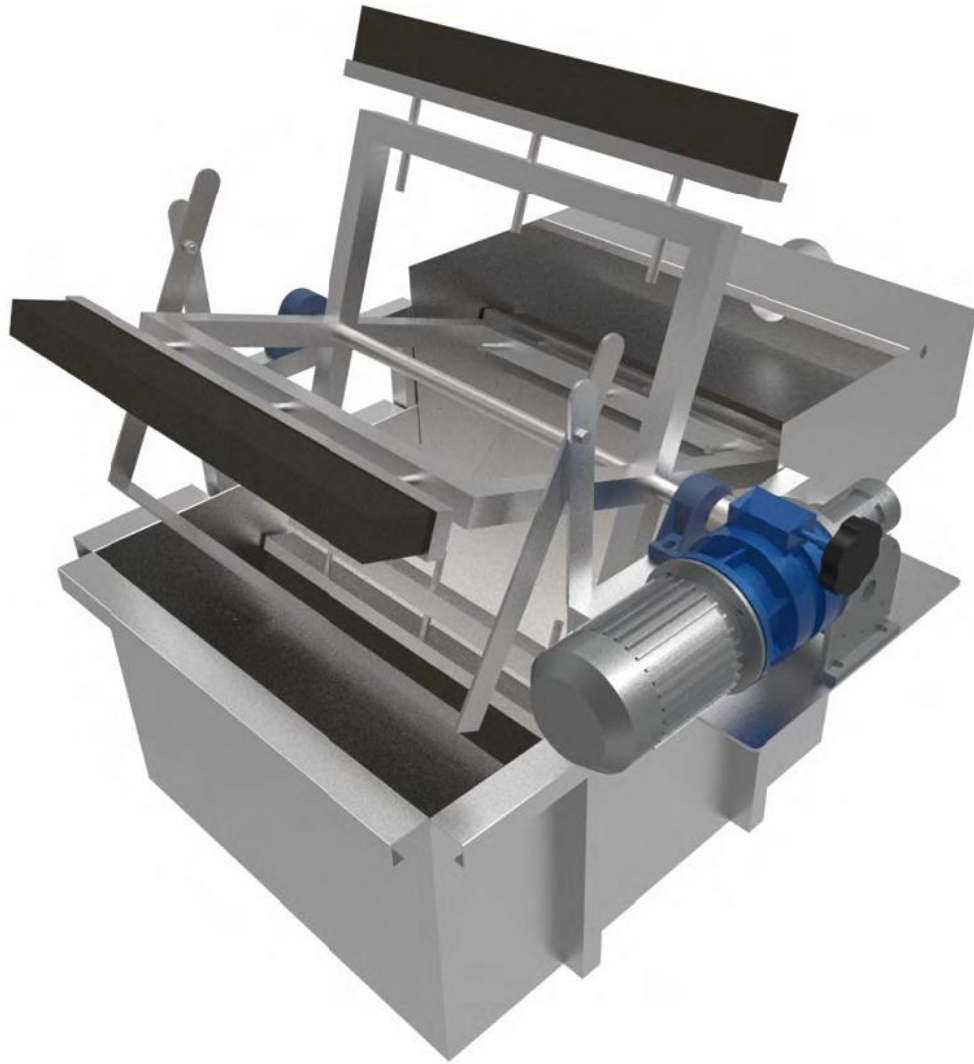


*Mechanical Arc Screen  
/  
Mechanical Arm Screen*

# *Mechanical Arc Screen*



Mechanical arc screens are a type of curved screens which are used as both fine or coarse screens specifically developed for small and medium-sized sewage treatment plants and water intake structures.

They have automatically cleaning system consisting of one or more revolving rake assemblies. In general, they are preferred for low level channels due to their basic mechanisms. Mechanical arc screens are mainly composed of frame, screening media, cleaning system (rake or brush), drive unit, counter wiper and discharge chute. Screening media can be manufactured as screen bars or perforated plates.

Mechanical Arc Screen are also Available along with the Stainless steel fabricated structure/ box for the above the ground requirement.

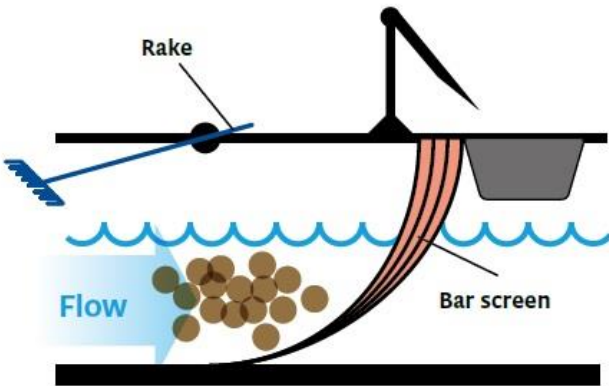
# Mechanical Arc Screen

## Specifications

Channel height	0.80 m - 1.60 m
Radius of rotation	1.20 m - 2.00 m
Bar thickness	6 mm - 10 mm
Max. water level	0.60 m - 1.40 m
Bar opening	20-25-30-40-50-60-80 mm
Max. channel width	3 m

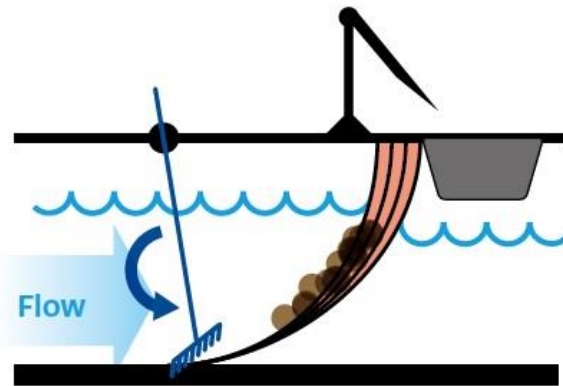
## Applications:

- Wastewater treatment plants
- Leather industry
- Food industry
- Paper mills
- Meat and poultry industry
- Intake structures
- Textile Industries



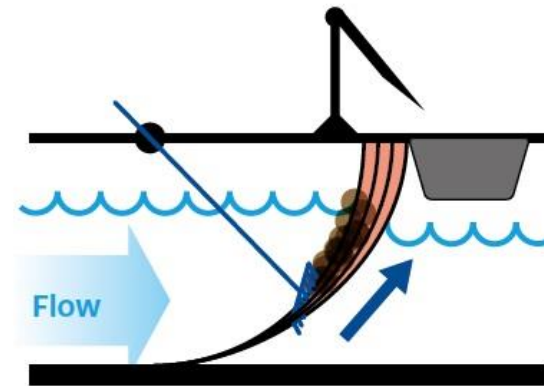
1

Water flows through the bar screen.



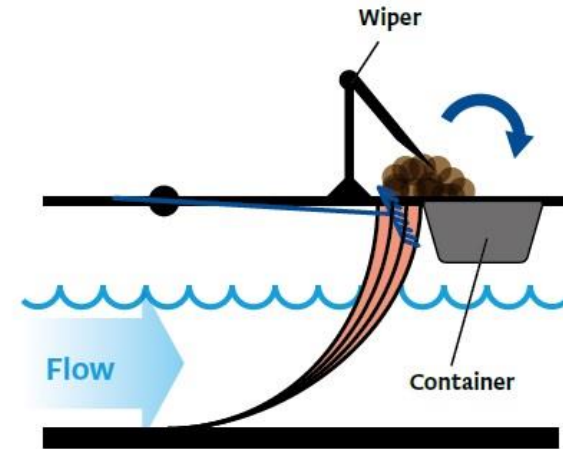
2

Solid materials accumulate on the screen surface. This situation prevents the water flow and the screen needs to be cleaned. Because of this reason the cleaning mechanism is activated.



3

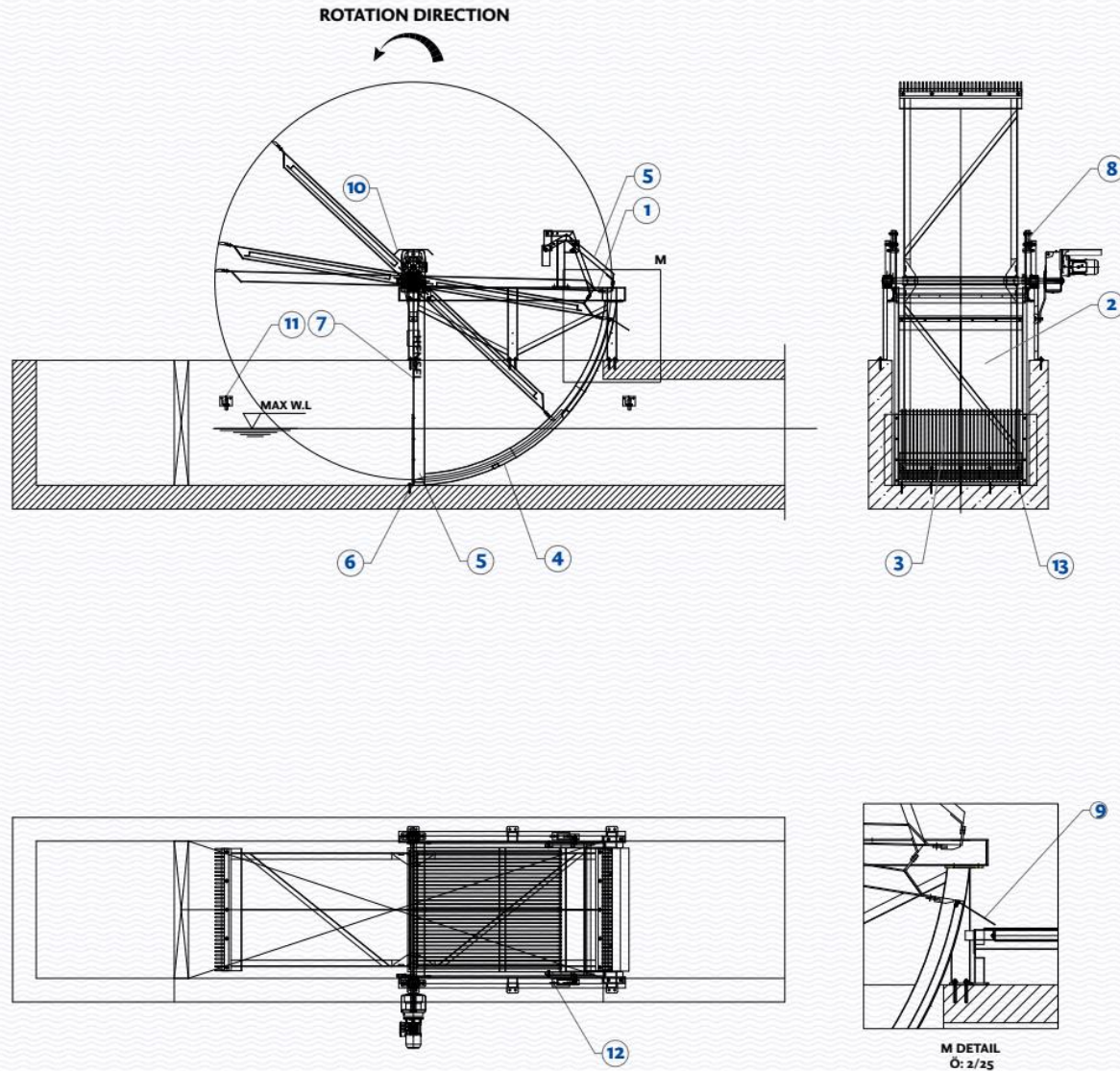
The rake holds the collected debris and moves them up.



4

The collected debris are discharged into a container with the help of the wiper mechanism.

# Mechanical Arc Screen



## Screen Components:

1. Upper Frame
2. Tray
3. Rake
4. Screen Bars
5. Pivoting Wiper
6. Lower Frame
7. Movable Frame
8. Side Sealing
9. Chute (Optional)
10. Drive Unit ( Gearbox & Motor)
11. Ultrasonic Level Sensor
12. Assembly Fastener
13. Anchor Bolts.

## Salient Features:

- Screening element is perpendicular to the flow of water.
- Very Low and Easy Maintenance.
- Very Less Moving/Rotating Parts.
- Compact design with a low installation height above ground level
- Completely odour-encased screen with easy to remove covers
- Simple and easy-to-access drive unit
- High screenings discharge capacity through adjustable cleaning cycles
- Easy to replace bar rack for problem-free change of bar spacing
- No additional consumables except electric current required for plant operation
- Directly, electrically driven mechanical linkage, no complex hydraulic unit required
- No submerged driving parts

**Register Address: Envifab Equipments**

Saffron/1, Shukan-6 Apartment,  
Opp. Sciencecity, Sciencecity Road,  
Sola, Ahmedabad - 380060

**(M)** 9426689986

**Email:** envifabsales@gmail.com

**Web:** www.envifab.com

**Work Address:** B -63, Bileshwar Industrial Estate, Part: 2,

Opp. Gujarati Vepari Maha Mandal,  
S.P. Ring Road, Odhav,  
Ahmedabad: 382415

**(M)** 9913824579



**Envifab**

**E Q U I P M E N T S**

Saffron/1, Shukan-6 Apartment,  
Opp. Sciencecity, Sciencecity Road,  
Sola, Ahmedabad – 380060

[envifabsales@gmail.com](mailto:envifabsales@gmail.com)